

The PE 3400 Series is Output Filters For Inverter.



**PE3400**



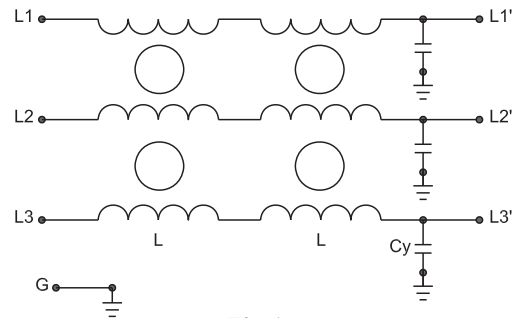
### Description :

- Excellent interference suppression for Dv/Dt.
- Over-voltage protection, reduce the electromagnetic interference of inverter.
- Wide working current range from 5A to 1200A.
- High quality components ensure the safety and reliability of filters.
- As output filter for inverter, reduce the loss of inverter and motor choke.
- Various connection optional: bolt and busbar terminals.
- Custom design acceptable.

### Typical Applications :

- Output filter for frequency inverter and converter, UPS, SMPS, three-phase motor drives.

### Electrical Schematic :



**Fig 1**

### Specification :

Rated Voltage:	250/440VAC
Rated Current:	5A~1200A
Operating Frequency:	50/60Hz
Temperature range :	HPF 25/085/21
Test Voltage ( 1min ):	
Line to Ground:	1450VAC
Line to Line:	2700VDC
Insulation Resistance:	
line to ground:	≥3000MΩ
line to line:	≥6000MΩ

### Filter Selection Table :

Filter	Rated current	Rated voltage	Leakage Current	Inverter Power	Input/Output connections	Electrical Schematic	Dimension
	(A)	(V)	(mA)	(KW)			
PE3400-5-06	5	250/440/480	5	0.75/1.5	06	1	1
PE3400-8-06	8	250/440/480	5	2.2/3.7	06	1	1
PE3400-16-06	16	250/440/480	5	5.5/7.5	06	1	2
PE3400-30-06	30	250/440/480	5	11/15	06	1	2
PE3400-45-06	45	250/440/480	5	18.5/22.5	06	1	2
PE3400-75-06	75	250/440/480	10	30/37	06	1	3
PE3400-100-06	100	250/440/480	10	45	06	1	3
PE3400-120-06	120	250/440/480	10	55	06	1	3
PE3400-150-06	150	250/440/480	20	75	06	1	4
PE3400-200-06	200	250/440/480	20	93	06	1	4
PE3400-300-90	300	250/440/480	35	110/132/160	90	1	5
PE3400-400-90	400	250/440/480	35	187/200	90	1	5
PE3400-500-90	500	250/440/480	35	220/250	90	1	6
PE3400-630-90	630	250/440/480	35	280/315	90	1	6
PE3400-800-90	800	250/440/480	65	350/400/450	90	1	7
PE3400-1200-90	1200	250/440/480	65	500/600/630	90	1	7

### Outline Drawing and Dimensions:

(Unit:mm)

All dimensions in mm; 1 inch=25.4mm

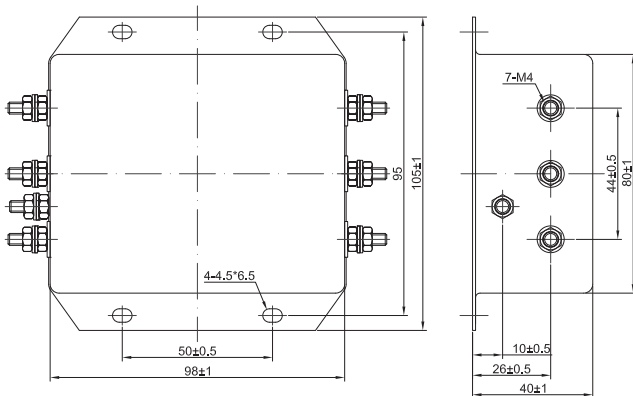


Fig 1

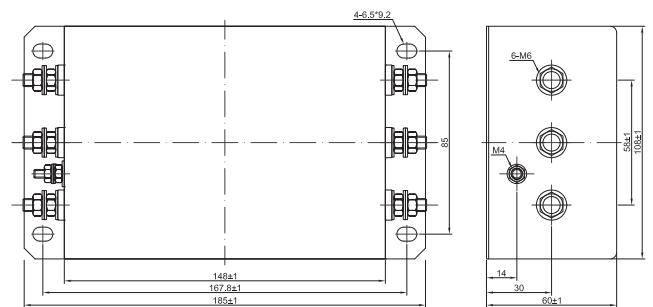


Fig 2

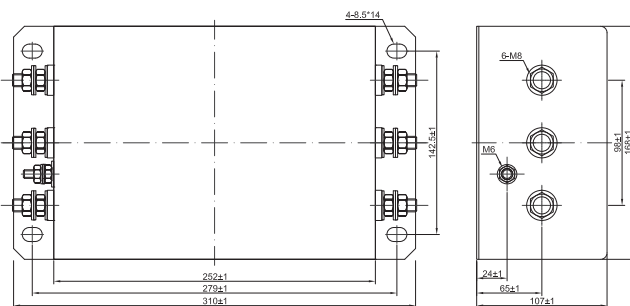


Fig 3

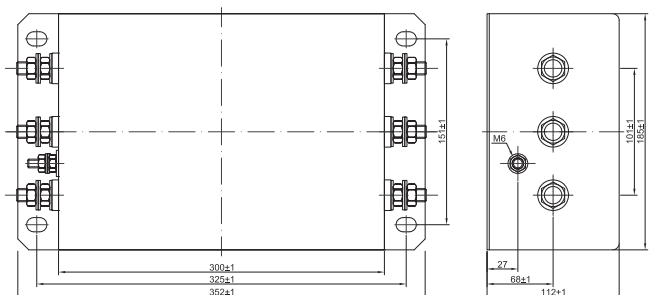
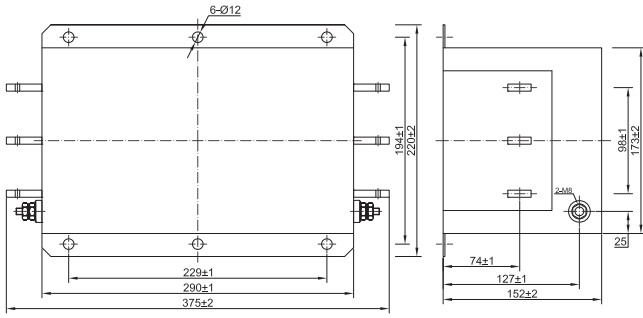
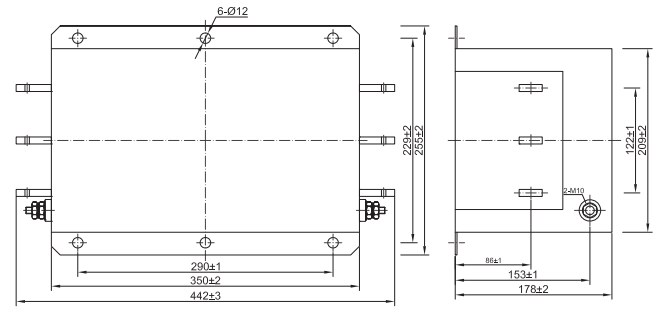


Fig 4



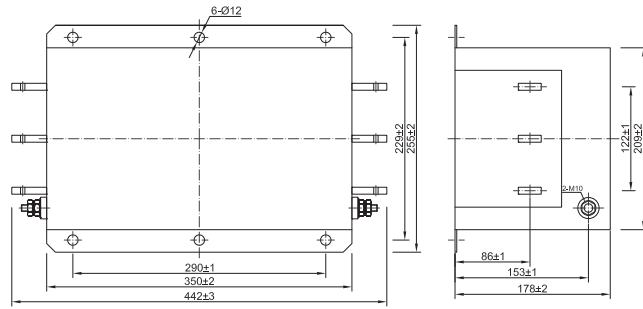
Connection:8\*20=160MM<sup>2</sup>

Fig 5



Connection:8\*30=240MM<sup>2</sup>

Fig 6



Connection:10\*40=400MM<sup>2</sup>

Fig 7

### Installation Diagramm:

